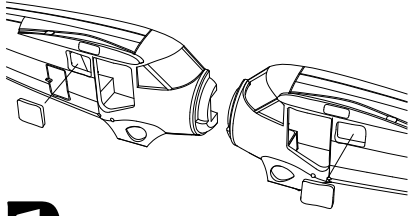


Stinson SR-9F Reliant

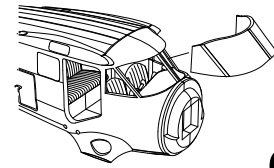
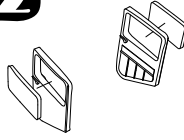
THE AIRCRAFT STANDARD OF THE WORLD

★
GA.720501



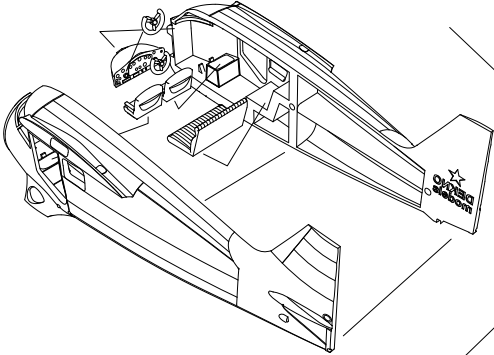
1

2

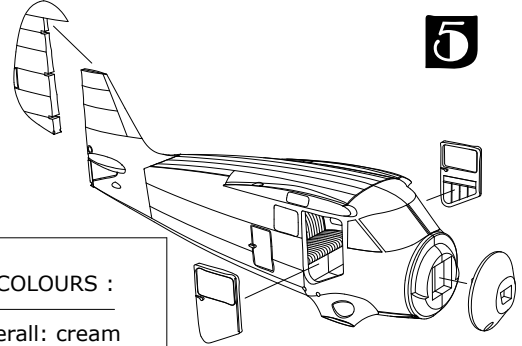


4

Clear parts position / Posició de les parts transparents



3

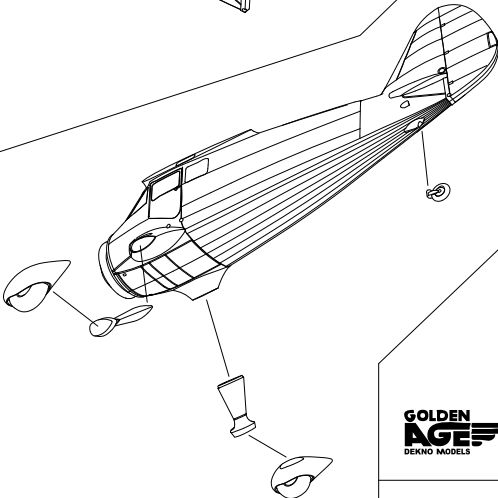


5

INTERIOR COLOURS :

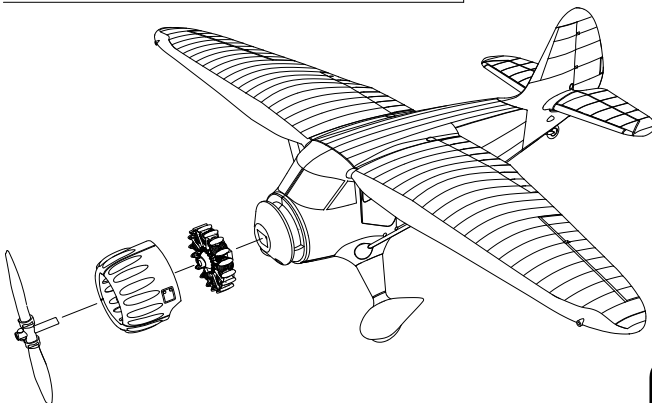
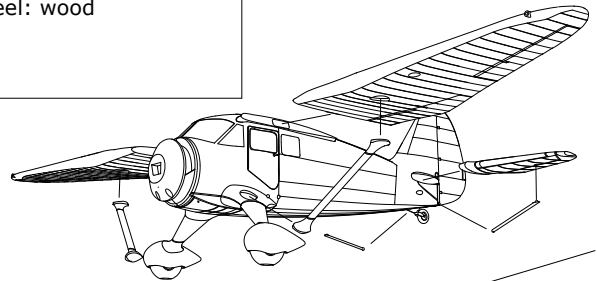
Interior overall: cream
or blue marin
Instrument panel: woodzz
Seats: red leather
Wheel: wood

6



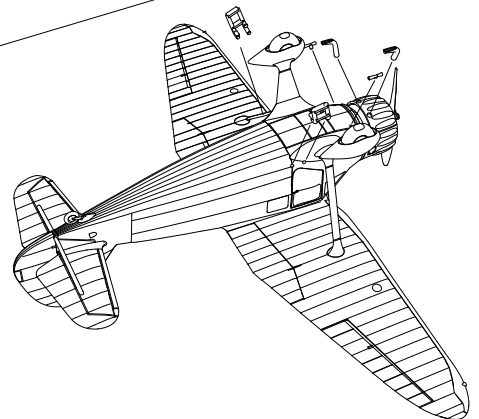
GOLDEN AGE
DEKNO MODELS

7



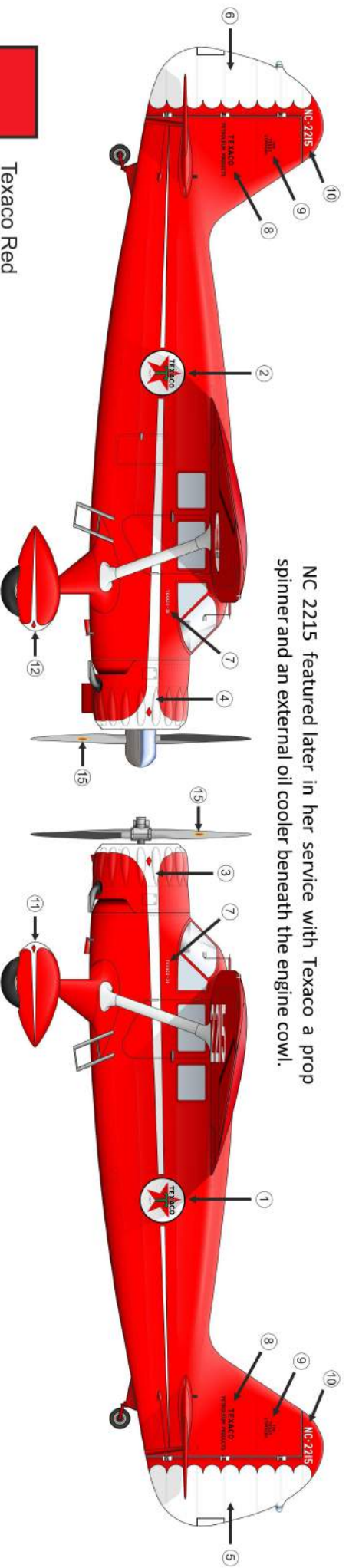
8

9

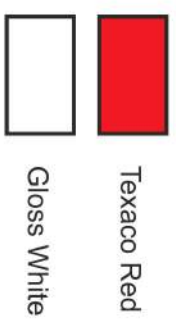


Acknowledgements: Wayne E. Moyer and Geoffrey Hays for the documentation and Mika Jenfors of "Arctic Decals" for the design of the decals.

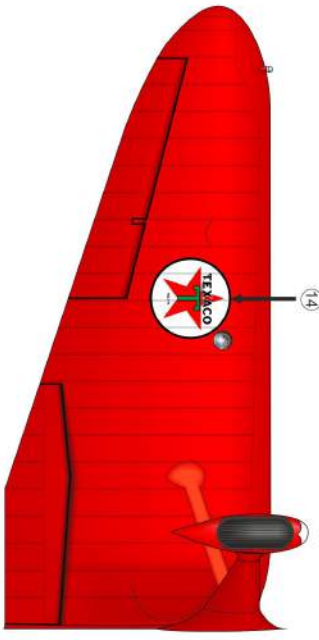
★
DEKNO
MODELS



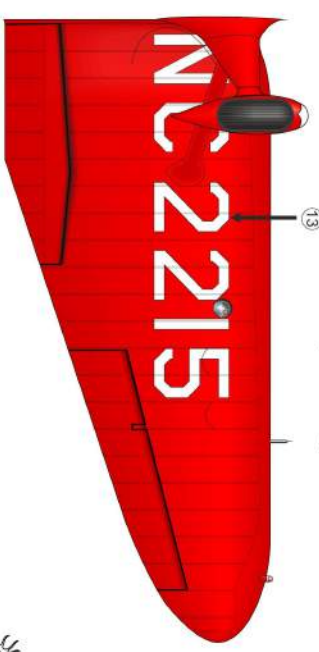
NC 2215 featured later in her service with Texaco a prop spinner and an external oil cooler beneath the engine cowl.



Apply at first the white cowling stripe decals 3 and 4, then paint the forward edge of the cowling gloss white.



Undersurface of starboard wing



Undersurface of port wing