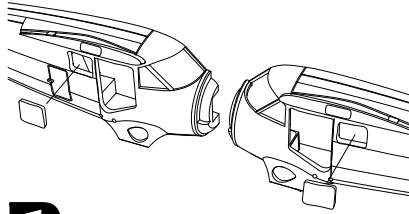


# Stinson SR-9C Reliant

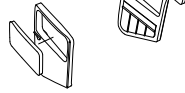
THE AIRCRAFT STANDARD OF THE WORLD

★  
GA.720501



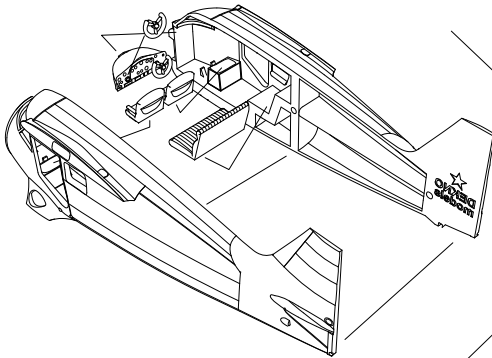
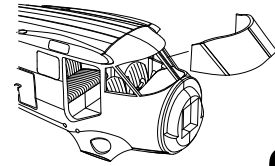
**1**

**2**

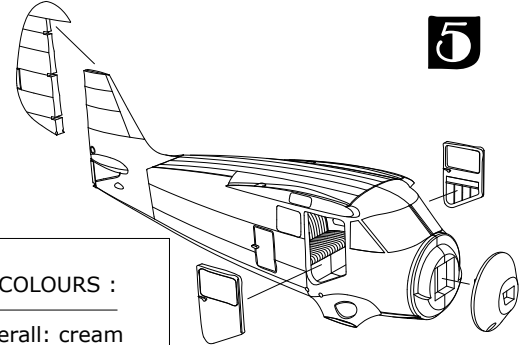


Clear parts position / Posició de les parts transparents

**4**



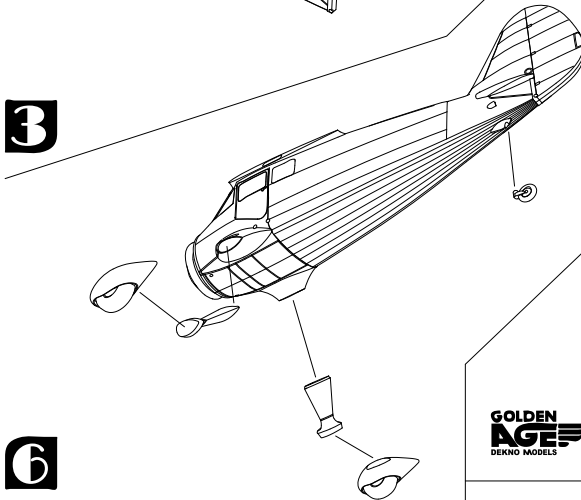
**3**



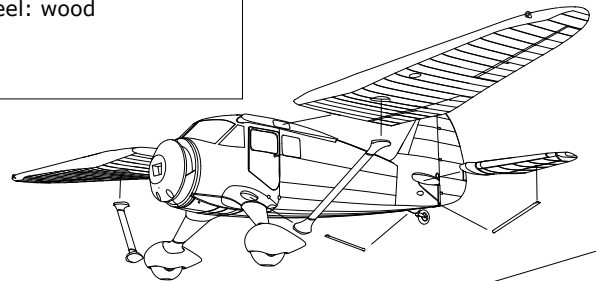
**5**

## INTERIOR COLOURS :

Interior overall: cream  
or blue marin  
Instrument panel: woodzz  
Seats: red leather  
Wheel: wood

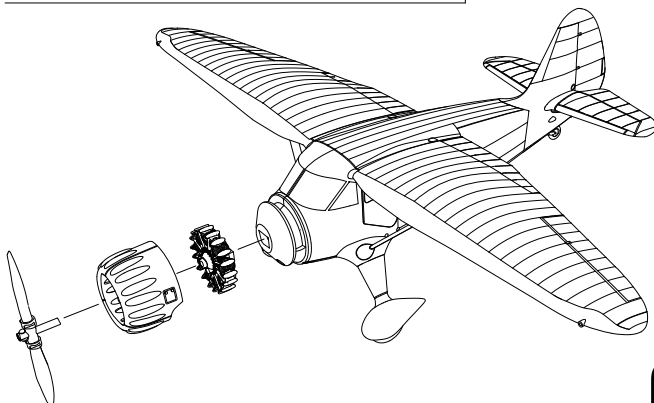


**6**



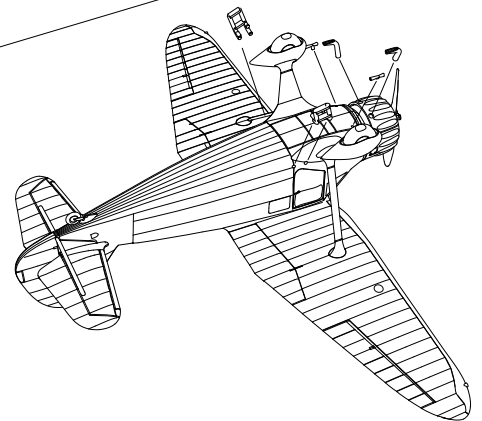
**7**

**GOLDEN AGE**  
DEKNO MODELS



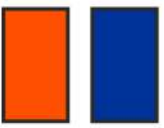
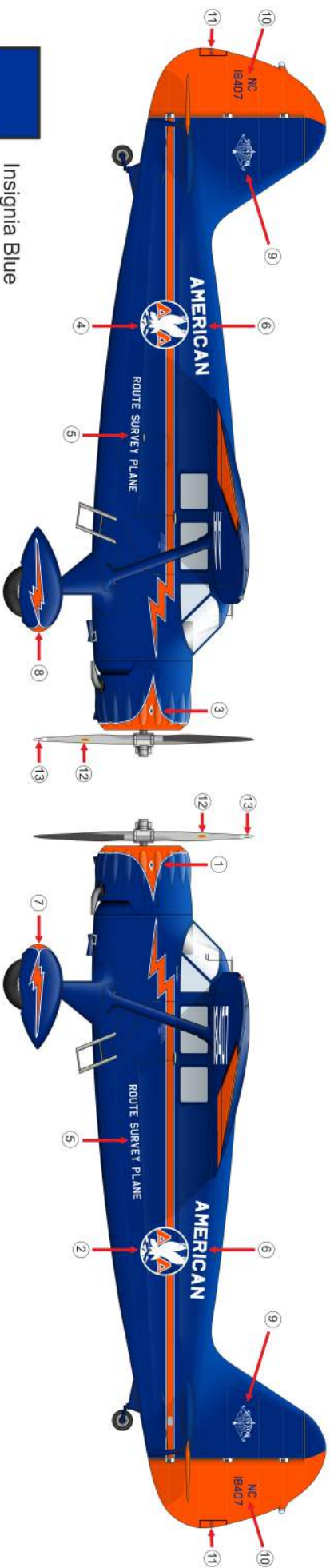
**8**

**9**



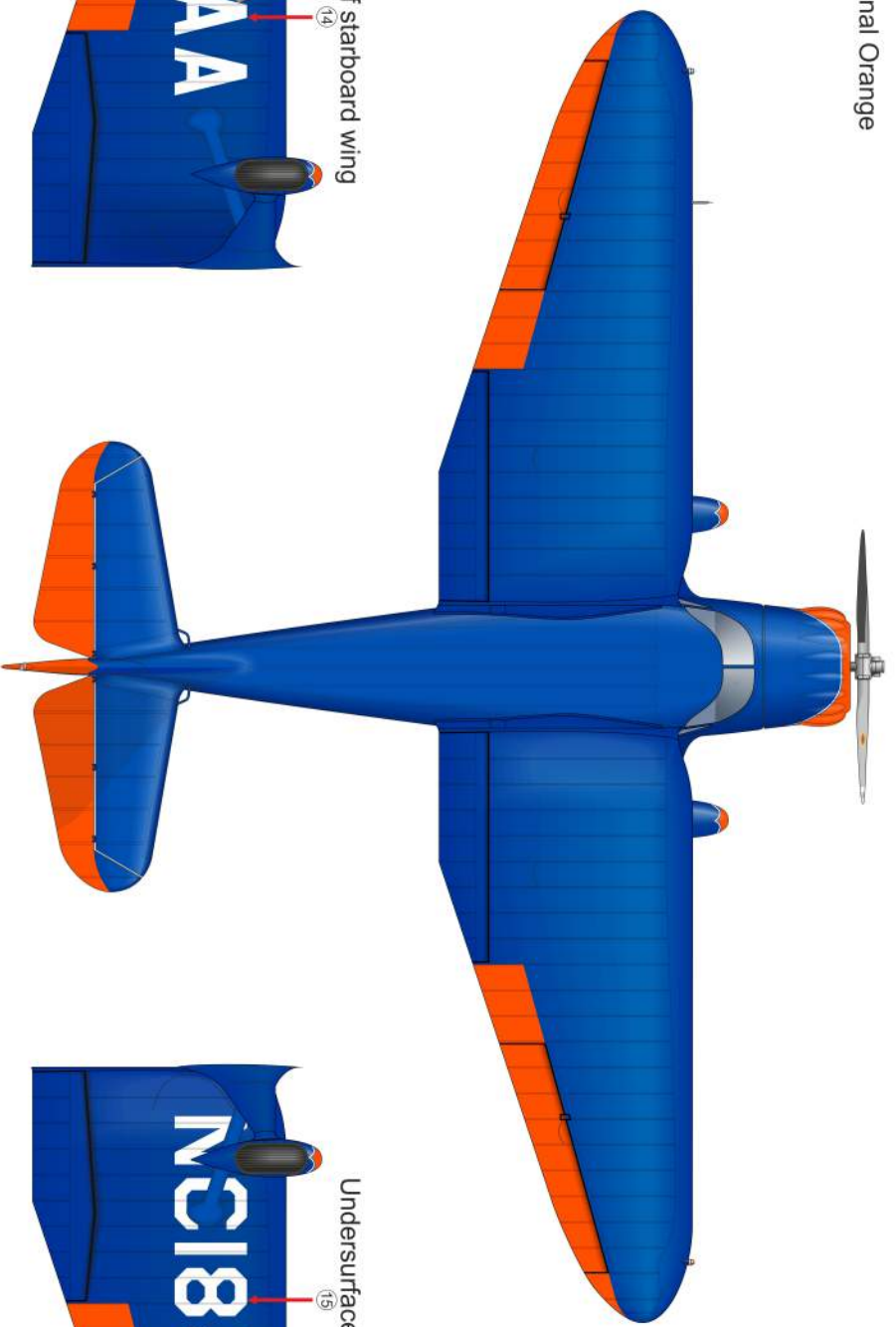
Acknowledgements: Wayne E. Moyer and Geoffrey Hays for the documentation and Mika Jenfors of "Arctic Decals" for the design of the decals.

★  
**DEKNO**  
MODELS

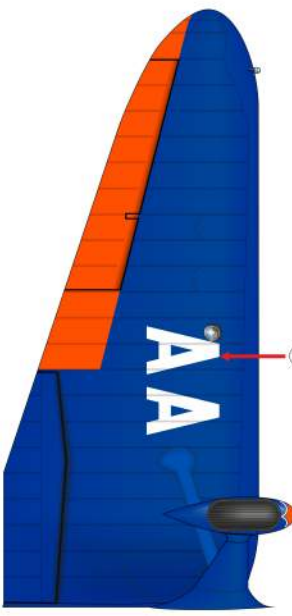


Insignia Blue

International Orange



Undersurface of starboard wing



Undersurface of port wing

