

# NORTHROP Y1C-19 ALPHA

1/72

Ref.: GA.720201

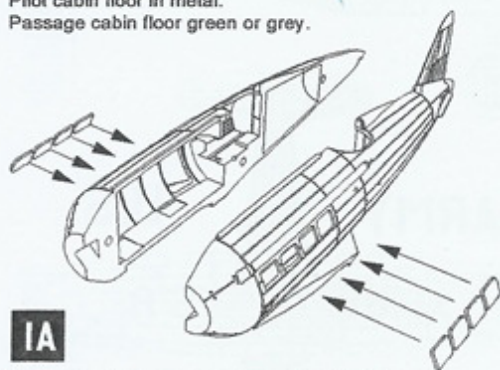
**COLOUR GUIDE:**

Leather armchairs in black.

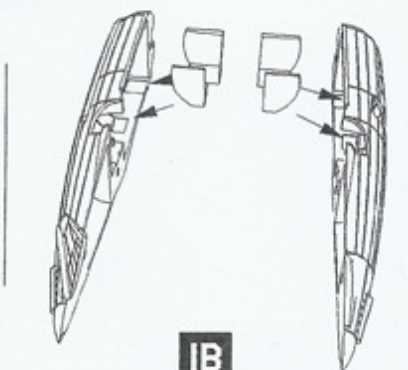
Walls in light green.

Pilot cabin floor in metal.

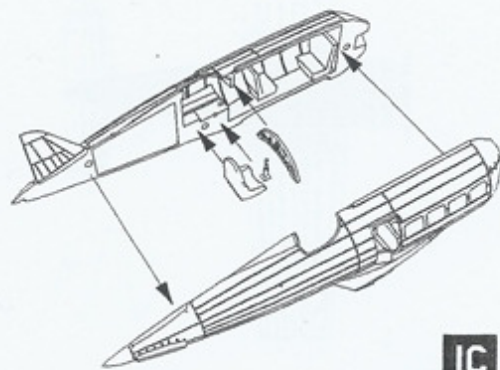
Passage cabin floor green or grey.



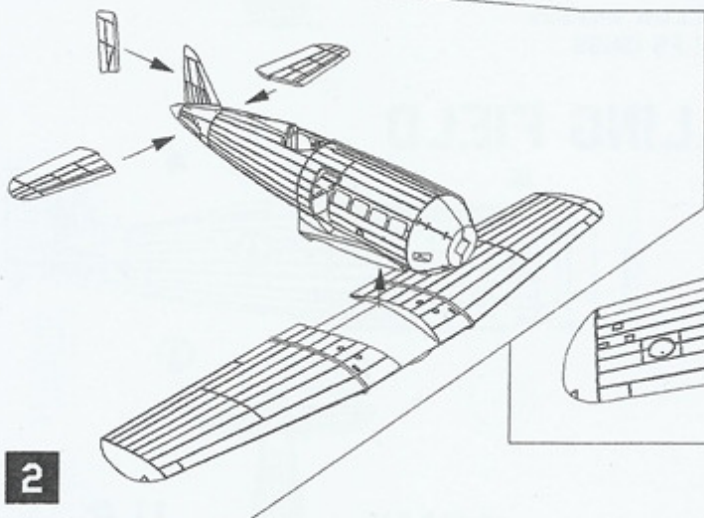
1A



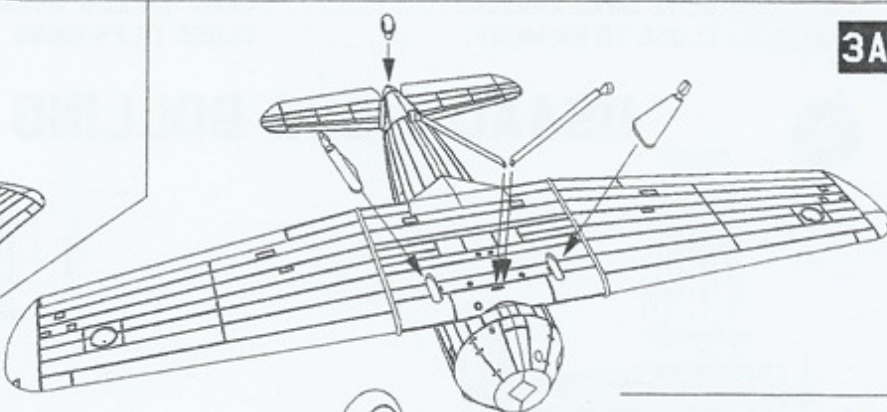
1B



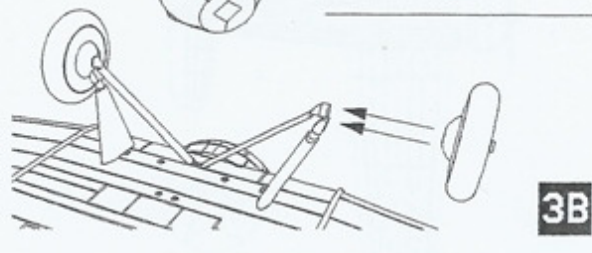
1C



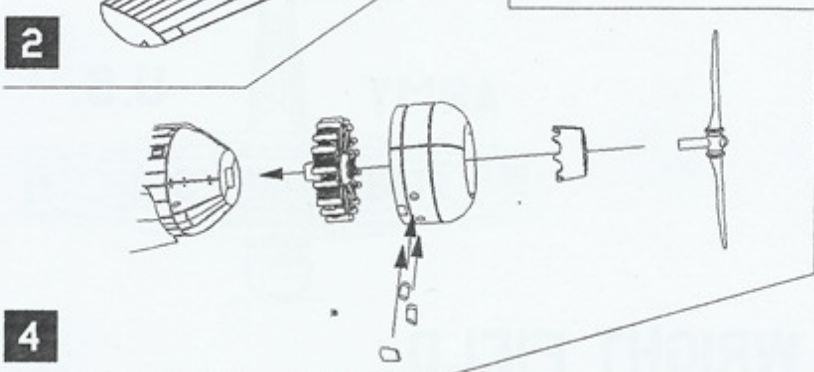
2



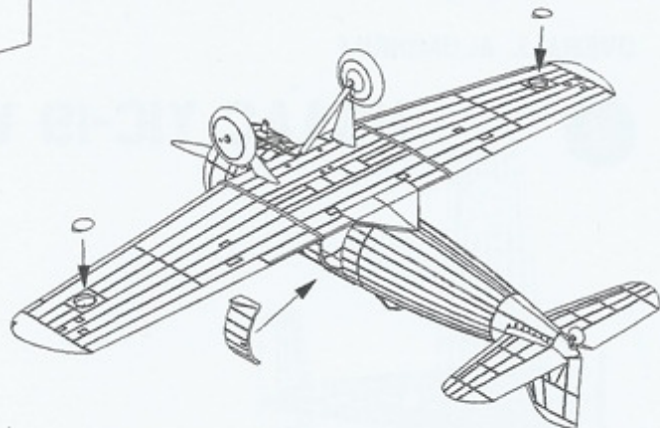
3A



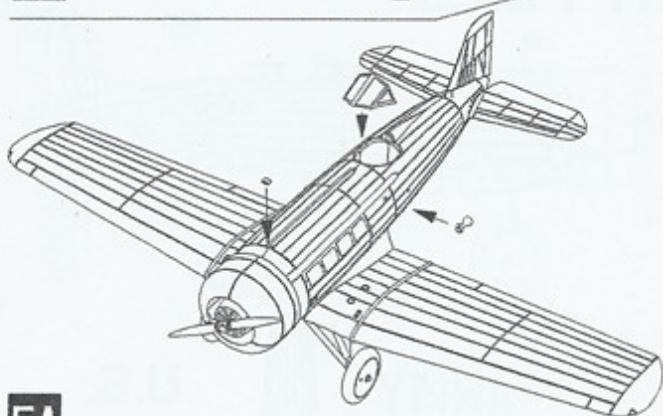
3B



4



5B



5A

[www.deknomodels.com](http://www.deknomodels.com)

★  
DEKNO  
MODELS

Bibliography: "The Northrop story 1929 - 1939" Richard Sanders Allen. Schiffer Aviation History.

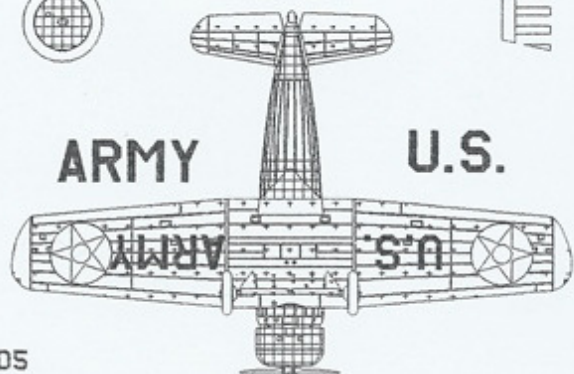
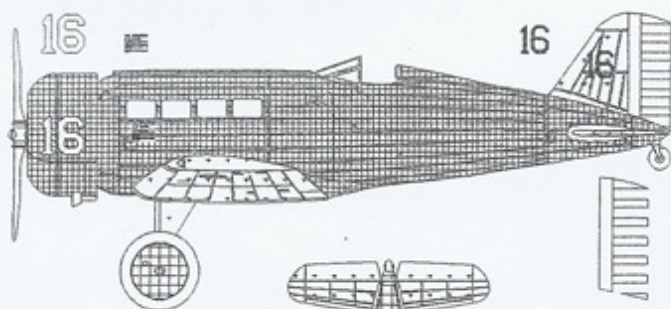
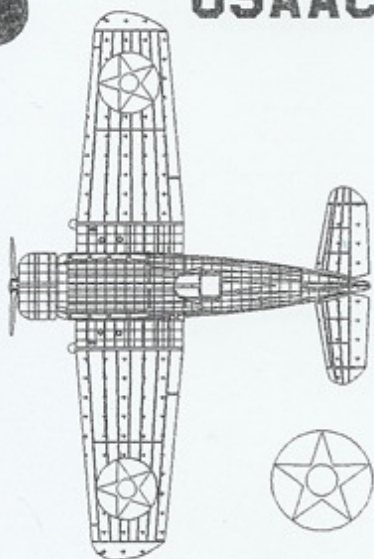
"Sans lui, la TWA n'existerait peut-être plus. Northrop Alpha" Michel Benichou. Le fanatique de l'aviation n° 105.

"Northrop's Air Mail Alpha" drawn and described by: Harry Robinson. Scale Models International February 1986

"Jack Northrop's metal miracle, The Alpha 4A" drawn and described by: Kenneth D. Wilson, Model Aviation October 1980.

1

# USAAC C-19



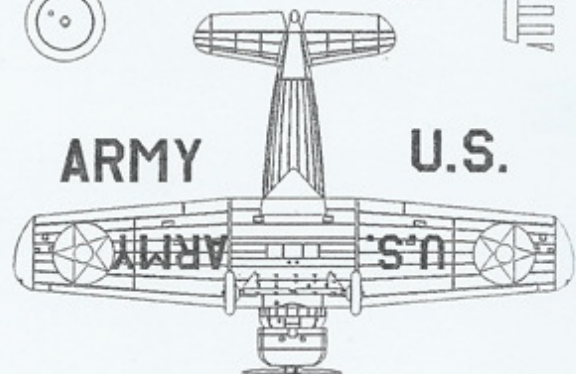
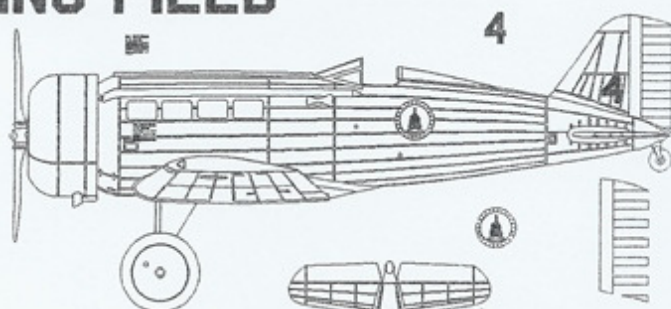
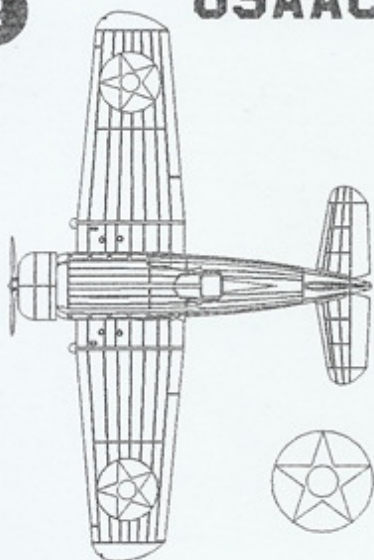
OLIVE DRAB ANA504  
CLOSE TO FS 14087



LIGHT YELLOW ANA505  
CLOSE TO FS 13655

2

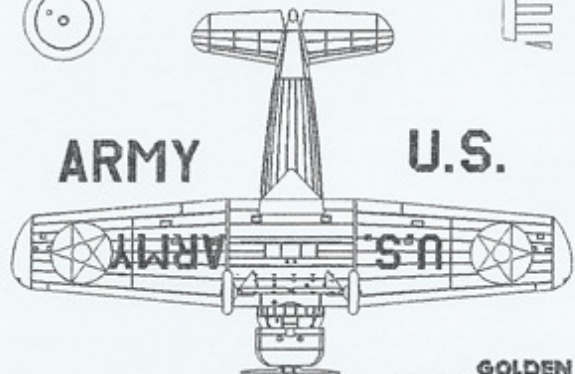
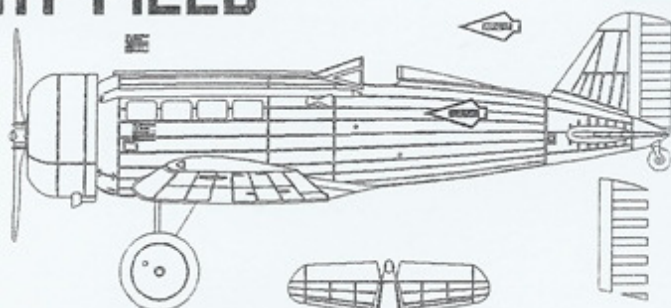
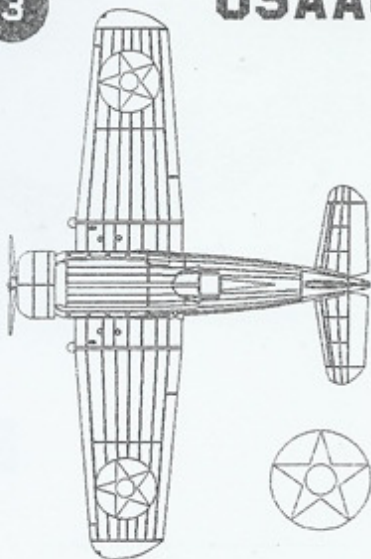
# USAAC Y1C-19 BOLLING FIELD



OVERALL ALUMINIUM

3

# USAAC Y1C-19 WRIGHT FIELD



OVERALL ALUMINIUM