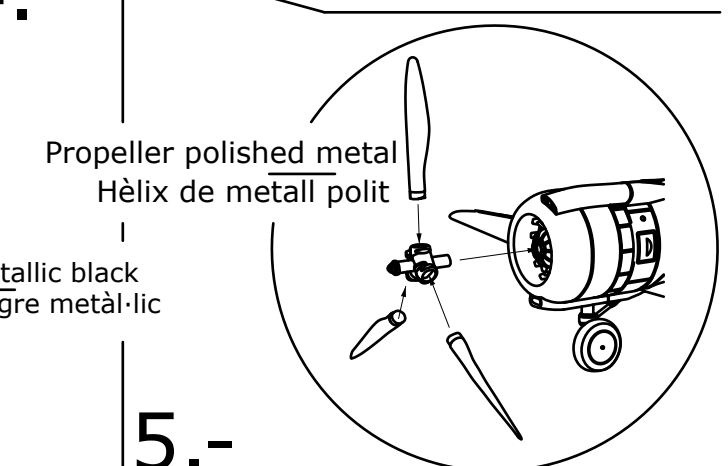
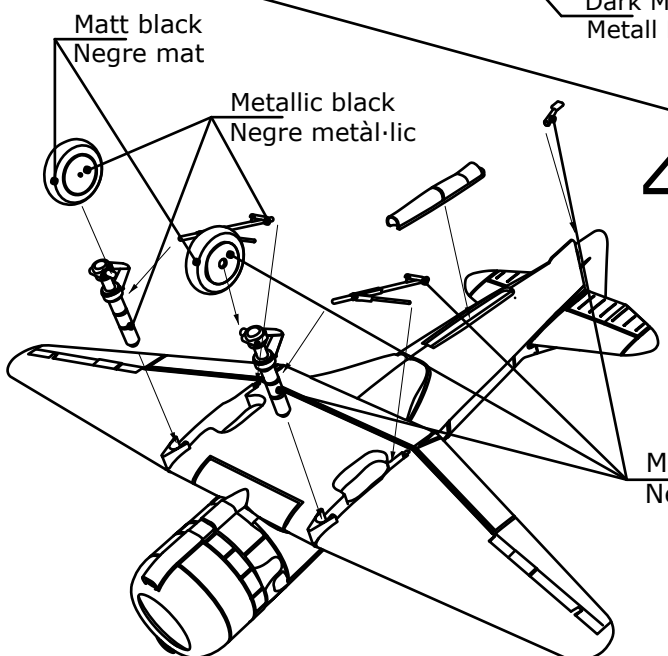
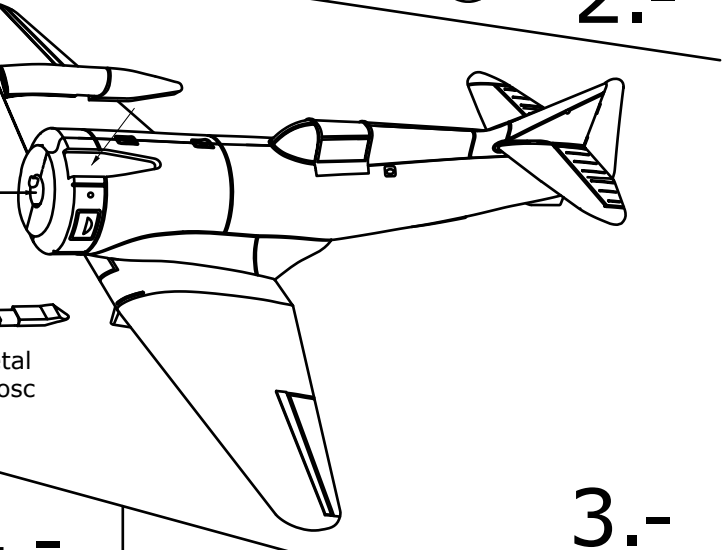
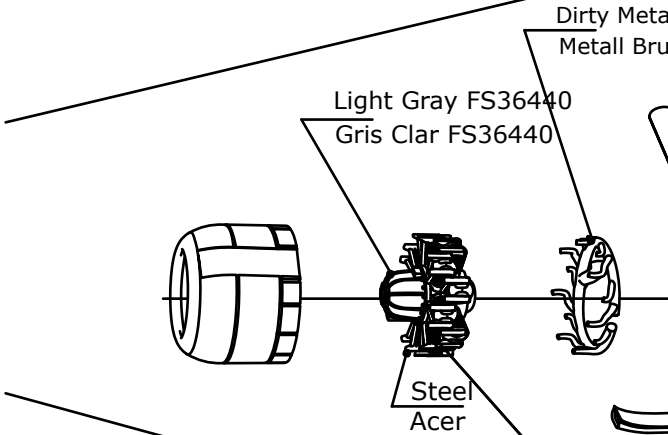
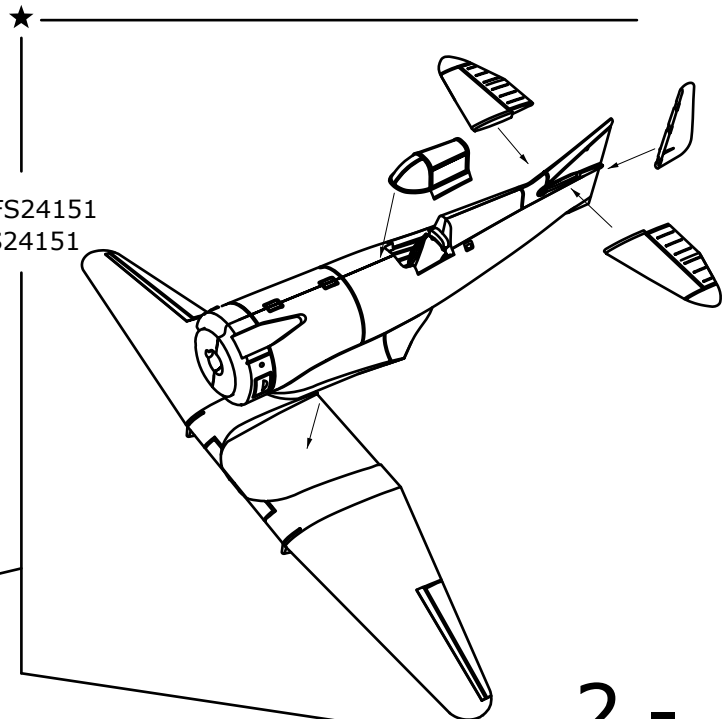
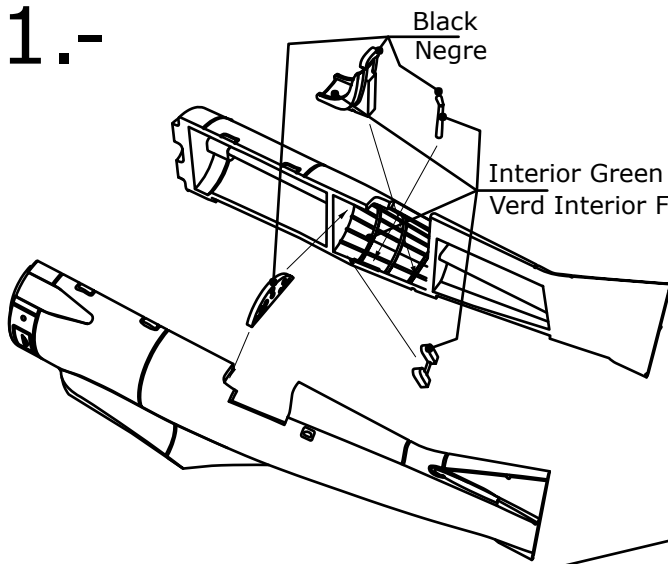


Marcoux-Bromberg Special (1939)

Perhaps the most consistent racer of the 1930's

- Pilot: Earl Ortman - Engine: P&W Twin Wasp Jr. -

1.-



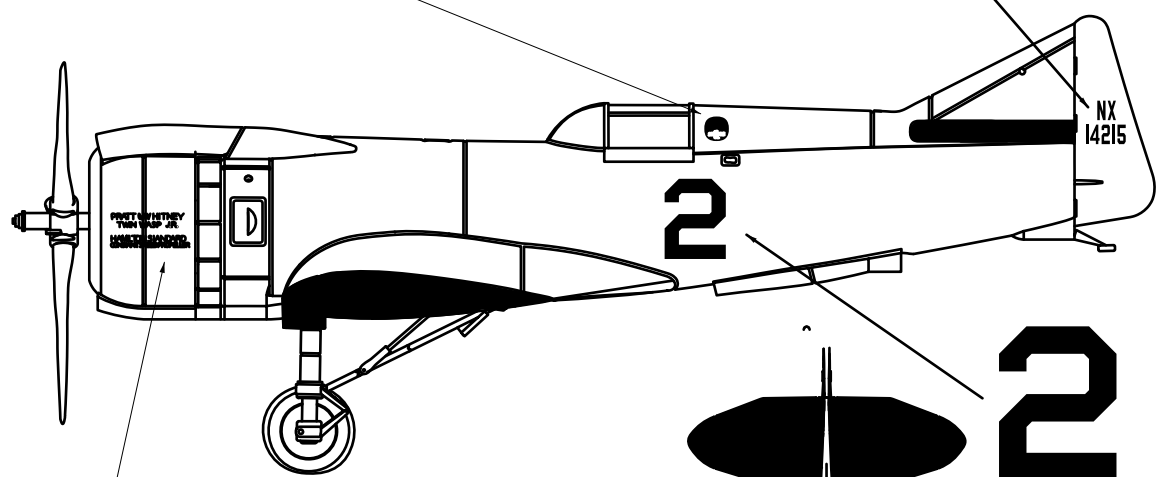
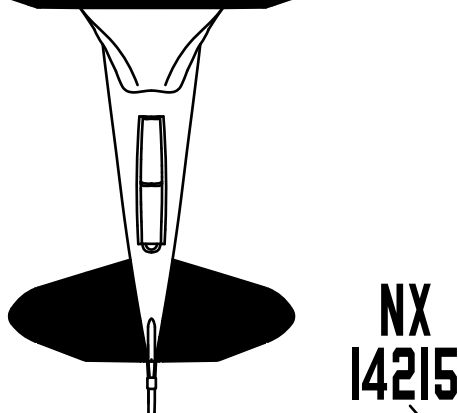
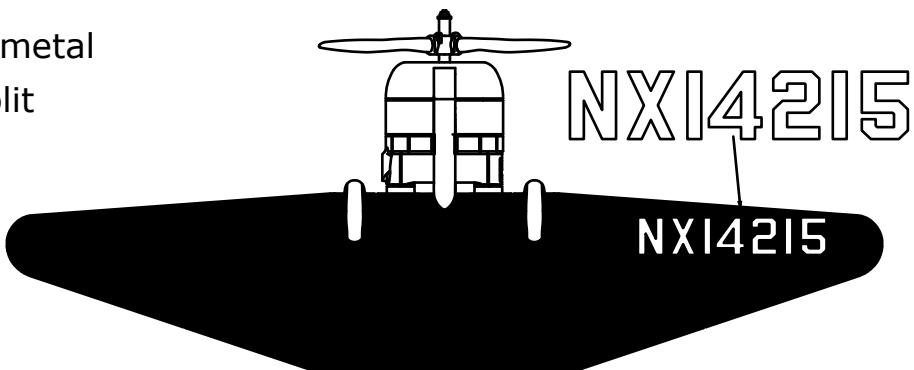
1/72 scale model kit, resin model
Maqueta a escala 1/72, model de resina



Painting scheme

Esquema de pintura

- Polished metal
- Metall polit
- Black
- Negre
- Yellow
- Groc



PRATT & WHITNEY
TWIN WASP J.R.
HAMILTON STANDARD
CONSTANT SPEED PROPELLER

